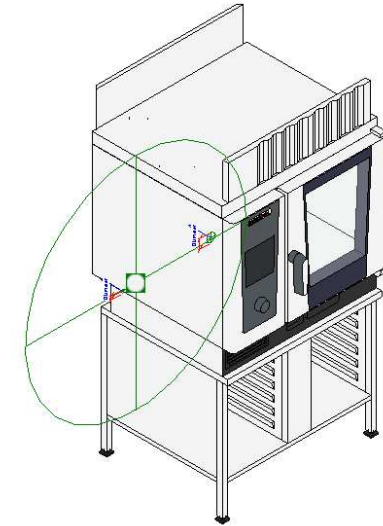
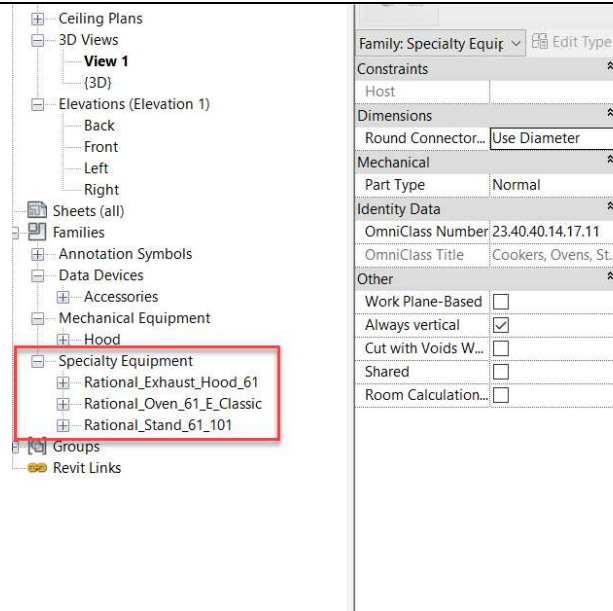


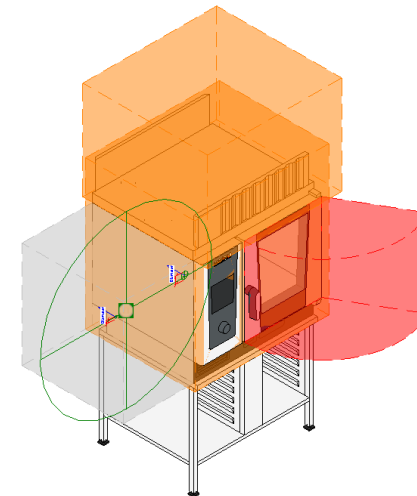
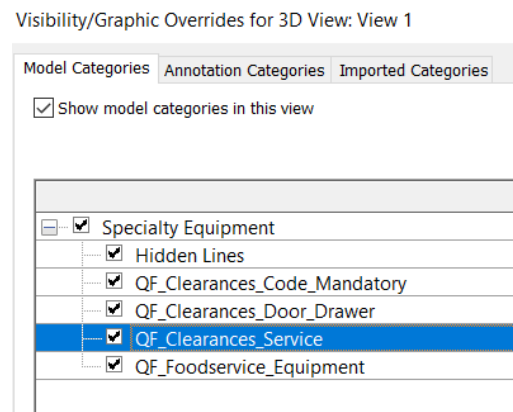
How to remove Clearances subcategories in RATIONAL Revit families

1. Open the family

Note the nested families in the project browser under Specialty Equipment of this family.

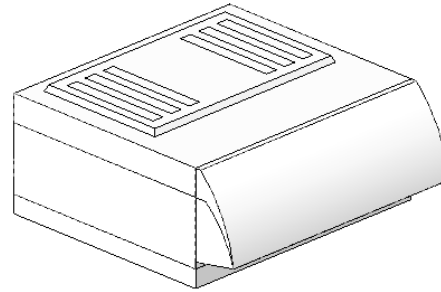
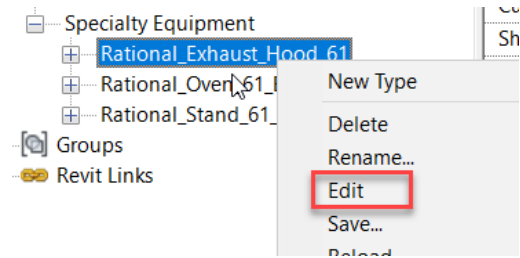


In the combi-steamer family, run “vv” and enable all “QF_” checkboxes.



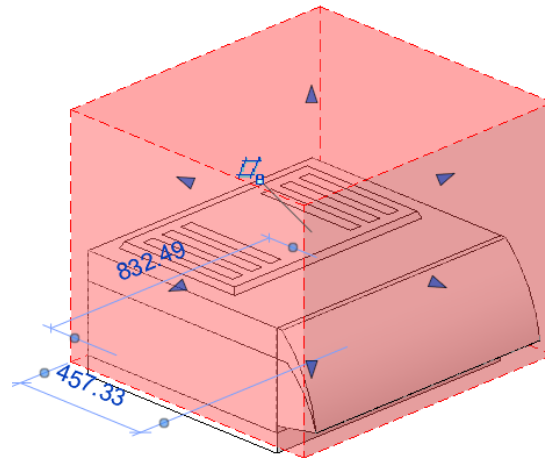
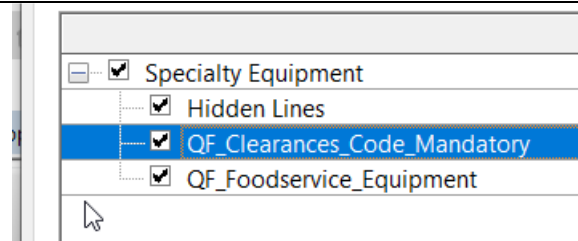
How to remove Clearances subcategories in RATIONAL Revit families

- From the combisteamer family, open the Rational_Exhaust_Hood_61 family with right click on the family name and Edit...



How to remove Clearances subcategories in RATIONAL Revit families

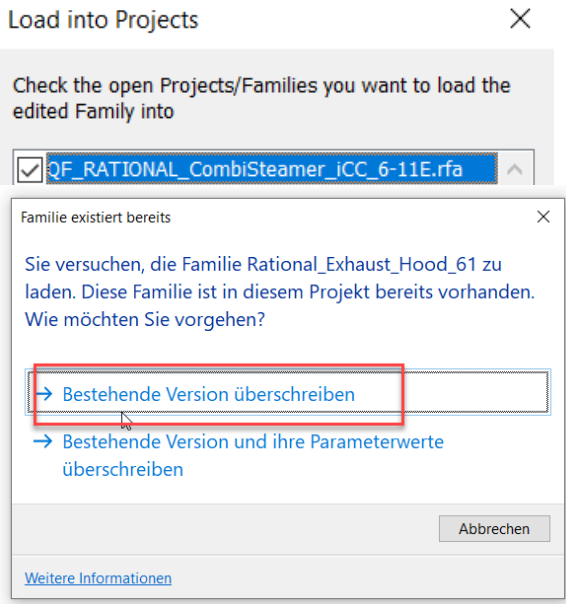
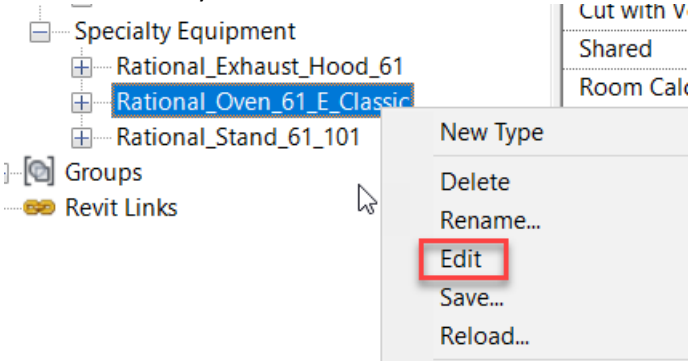
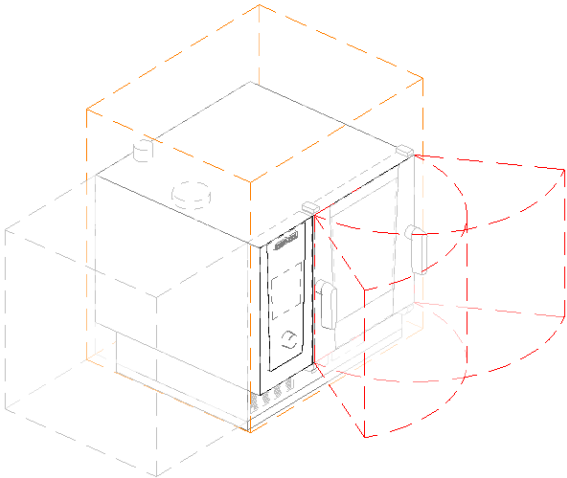
3. Run “vv” and activate the checkbox QF_Clearances_Code_Mandatory
4. Select the box and delete it.



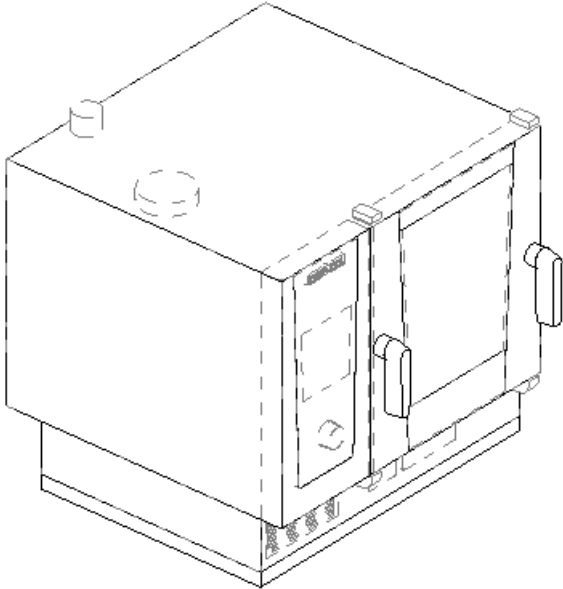
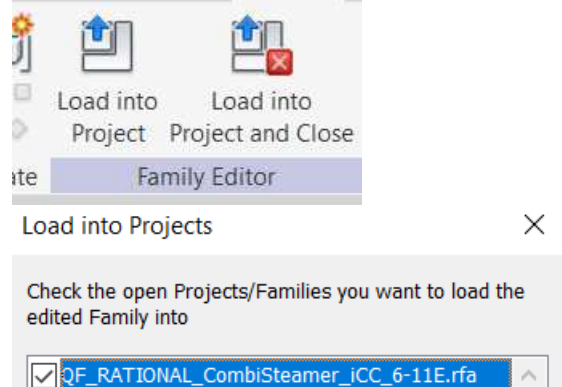
5. Run Load into project and select the combisteamer family. Override the existing version



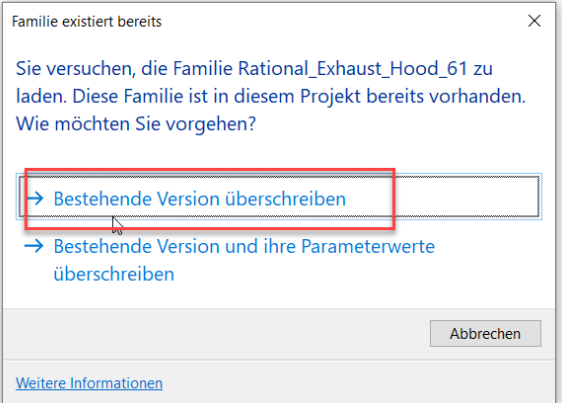
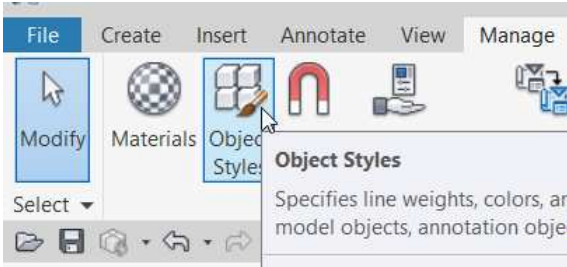
How to remove Clearances subcategories in RATIONAL Revit families

	
<p>6. From the combisteamer family, open the Rational_Oven_61_E_Classic family with right click on the family name and Edit...</p> 	

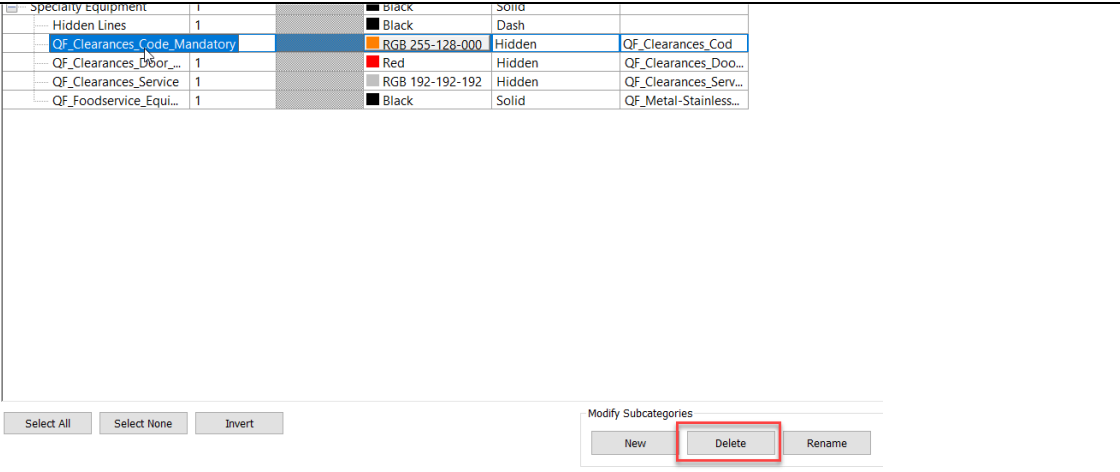
How to remove Clearances subcategories in RATIONAL Revit families

<ol style="list-style-type: none">7. Run “vv” and activate all QF_checkboxes QF_Clearances_Code_Mandatory8. Select the boxes and delete them.	
<ol style="list-style-type: none">9. Run Load into project and select the combisteamer family. Override the existing version.	

How to remove Clearances subcategories in RATIONAL Revit families

	 <p>Familie existiert bereits</p> <p>Sie versuchen, die Familie Rational_Exhaust_Hood_61 zu laden. Diese Familie ist in diesem Projekt bereits vorhanden. Wie möchten Sie vorgehen?</p> <p>→ Bestehende Version überschreiben</p> <p>→ Bestehende Version und ihre Parameterwerte überschreiben</p> <p>Abbrechen</p> <p>Weitere Informationen</p>
<p>10. In the combisteamer family, run Manage > Objectstyles. Delete all "QF_Clearances_" entries.</p> <p>Do NOT delete the QF_Foodservice_Equipment subcategory!!!</p>	 <p>File Create Insert Annotate View Manage</p> <p>Modify Materials Object Styles</p> <p>Select</p> <p>Object Styles</p> <p>Specifies line weights, colors, and model objects, annotation objects</p>

How to remove Clearances subcategories in RATIONAL Revit families

	 <p>The screenshot shows the 'Subcategory' list in the Revit Family Editor. The list contains the following items:</p> <table border="1"><thead><tr><th>Subcategory Name</th><th>Count</th><th>Color</th><th>Line Style</th><th>Material</th></tr></thead><tbody><tr><td>Specialty Equipment</td><td>1</td><td>Black</td><td>Solid</td><td></td></tr><tr><td>Hidden Lines</td><td>1</td><td>Black</td><td>Dash</td><td></td></tr><tr><td>QF_Clearances_Code_Mandatory</td><td>1</td><td>RGB 255-128-000</td><td>Hidden</td><td>QF_Clearances_Cod</td></tr><tr><td>QF_Clearances_Door...</td><td>1</td><td>Red</td><td>Hidden</td><td>QF_Clearances_Doo...</td></tr><tr><td>QF_Clearances_Service</td><td>1</td><td>RGB 192-192-192</td><td>Hidden</td><td>QF_Clearances_Serv...</td></tr><tr><td>QF_Foodservice_Equi...</td><td>1</td><td>Black</td><td>Solid</td><td>QF_Metal-Stainless...</td></tr></tbody></table> <p>At the bottom of the list, there are three buttons: 'Select All', 'Select None', and 'Invert'. To the right, there is a 'Modify Subcategories' section with three buttons: 'New', 'Delete', and 'Rename'. The 'Delete' button is highlighted with a red box.</p>	Subcategory Name	Count	Color	Line Style	Material	Specialty Equipment	1	Black	Solid		Hidden Lines	1	Black	Dash		QF_Clearances_Code_Mandatory	1	RGB 255-128-000	Hidden	QF_Clearances_Cod	QF_Clearances_Door...	1	Red	Hidden	QF_Clearances_Doo...	QF_Clearances_Service	1	RGB 192-192-192	Hidden	QF_Clearances_Serv...	QF_Foodservice_Equi...	1	Black	Solid	QF_Metal-Stainless...
Subcategory Name	Count	Color	Line Style	Material																																
Specialty Equipment	1	Black	Solid																																	
Hidden Lines	1	Black	Dash																																	
QF_Clearances_Code_Mandatory	1	RGB 255-128-000	Hidden	QF_Clearances_Cod																																
QF_Clearances_Door...	1	Red	Hidden	QF_Clearances_Doo...																																
QF_Clearances_Service	1	RGB 192-192-192	Hidden	QF_Clearances_Serv...																																
QF_Foodservice_Equi...	1	Black	Solid	QF_Metal-Stainless...																																
<p>11. Finished. Load the family back to the project. Perform the same steps for iVario families by editing the nested "Rational_iVario_..." family</p>																																				